

中联重科

ZMC300G

Mobile Cone Crusher

最大给料粒度： 210 mm

处理能力： 320 t/h

装机功率： 321 kW



ZOOMLION

颜色组合已取得注册商标保护

ZMC300G 履带移动圆锥式破碎站

产品简介

Product Introduction

Hydraulic automatic adjustment of discharge port of cone crushing can easily ensure the accurate size of products.

ZMC 300G

The return screen of mobile cone crusher adopts high-power vibration motor, lightweight design and large tilt angle arrangement, the vibration amplitude generated by the return is large, so the processing capacity is larger.

ZCF 300

320t/h

210mm

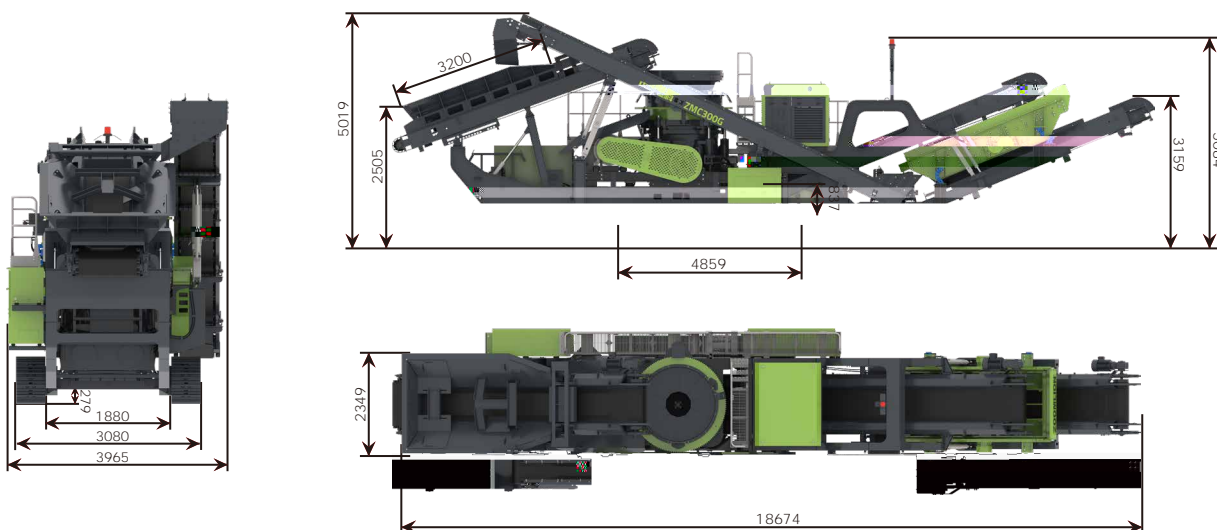
The max capacity of ZMC300G Mobile Cone Crusher, made by ZOOMLION, is 320t/h, and the max feeding grain size is 210mm.

The core components are provided by industry-leading manufacturers which guarantees the reliability of ZMC300G mobile cone crusher.

整车尺寸参数

mm

Vehicle Size Marking



整车性能参数

Vehicle Performance Marking

主参	Main Parameters	单位 Unit	值 Value
	Capacity	t/h	115-320
	Max. Feeding Size	mm	210
x	Main Conveyor Width x Length	mm	B1000x12500
	Discharge Height	mm	3300
	Crushing Device Power	kW	250
	Engine Power	kW	103
x x	Transport Size Width x Length x Height	m	18.05x3.72x3.97
	Total Weight	t	55
	Power Type	\	

注：外接市电（三相电 380-450V，50Hz）或外接发电机（与 ZMJ116G、ZMS2065G 成套）

ZOOMLION

中联重科股份有限公司
ZOOMLION HEAVY INDUSTRY SCIENCE & TECHNOLOGY CO., LTD.

地址：湖南省长沙市经济开发区中重城工业园
Add: Zoomlion Wangcheng Industrial Park, Wangcheng District, Changsha City, Hunan Province, China
服务热线：4008000157 0731-88059233

